

SYMBIOSIS SUITS

Tribal 'Y'

The Airfield, Headcorn, Kent, TN27 9HX, UK
 Tel 01622 890967 - Fax 01622 891236
 Email symbiosis.suits@btinternet.com
 www.symbiosissuits.co.uk

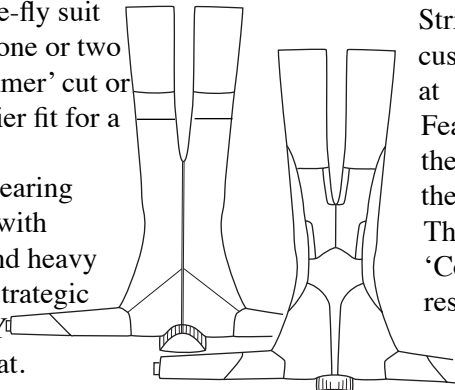
Free Fly suits by Symbi

Name _____
 Sex _____
 Address _____

 Country _____
 Tel/Fax /Email _____

Office Use Only	
Date Received	
Amount Paid	
Notes	

Our Tribal 'Y' Free-fly suit comes in either a one or two piece, and a 'Slimmer' cut or as a 'looser' baggier fit for a slower fall-rate. Built from hard wearing Polyester-cotton with stretch spandex and heavy cordura nylon in strategic areas, the Tribal-Y looks and flies great.



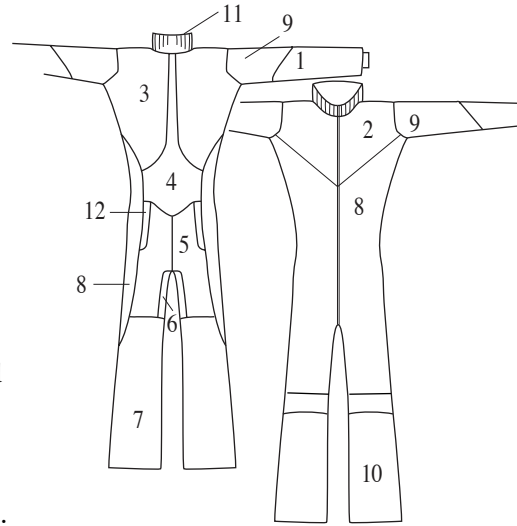
Stripes on arms and legs or custom embroidery may be added at an additional cost. Features include spandex cuffs at the wrists, secure velcro cuffs at the ankle and a pocket on one leg. The front is lined in comfortable 'Coolmax' airated fabric, and the rest of the suit is lined with a lightweight cotton.

<i>Tribal 'Y' - one piece</i>	Slimmer Fit	£260
	Looser Fit	
<i>Tribal 'Y' - two piece</i>	Slimmer Fit	£285
	Looser Fit	
	High Collar	
	Low Collar	
	Grips	£28
	Large embroidered 'Y' logo on thigh	£20
	Colour stripes on arms and legs	£35
	Additional Pockets	£12
	Rush Order	£45
Post & Packing	UK	£11
	Europe	£16
	Outside Europe	£28

Payment for the full amount must accompany each order **TOTAL ENCLOSED**

COLOURS

PANELS	1	2	3	4	5	6	7	8	9	10	11	12
COLOURS												
Black												
Dark Grey												
Light Grey												
Silver Grey												
White												
Navy Blue												
Royal Blue												
Light Blue												
Blue Turquoise												
Petrol Green												
Jade Green												
Mid Green												
Dark Green												
Olive Green												
Lime Green												
Neon Yellow												
Golden Yellow												
Orange												
Red												
Bergundy												
Raspberry												
Light Pink												
Purple												
Dark Purple												
Lilac												



MEASUREMENTS

Please take your measurements carefully. We are unable to make your suit fit without your correct measurements. Study the diagram to assist you. Get someone to help you and double check each measurement. Measure yourself over a T-shirt and thin trousers.

Do not add anything to your measurements.

If we receive incorrect measurements, we will have to charge for modifications.

HEIGHT _____	WEIGHT _____		BODY _____
SHOULDERS _____	CHEST _____		Be VERY careful with this measurement! Stand up straight, measure from under the crutch where the seams of your trousers meet, up the front to the collar of a close fitting T-shirt.
Across the back from one shoulder seam to the other. Straight tape	Widest part - Around nipple		
ARM _____	Girls - CUP SIZE _____		
From the shoulder seam of a shirt to the bone of the wrist.	WAIST _____		
FOREARM _____	Narrowest Part		
Widest part of the muscle.	HIP _____		
BICEP _____	Widest part around the buttocks		
Widest part of muscle with the bicep relaxed.	THIGH _____		
	LOWER THIGH _____		
	125mm above knee		
	CALF _____		
	Widest part of muscle		
			INSEAM _____
			From the crutch to the ankle bone.
			SHOE SIZE _____
			(for booties only)